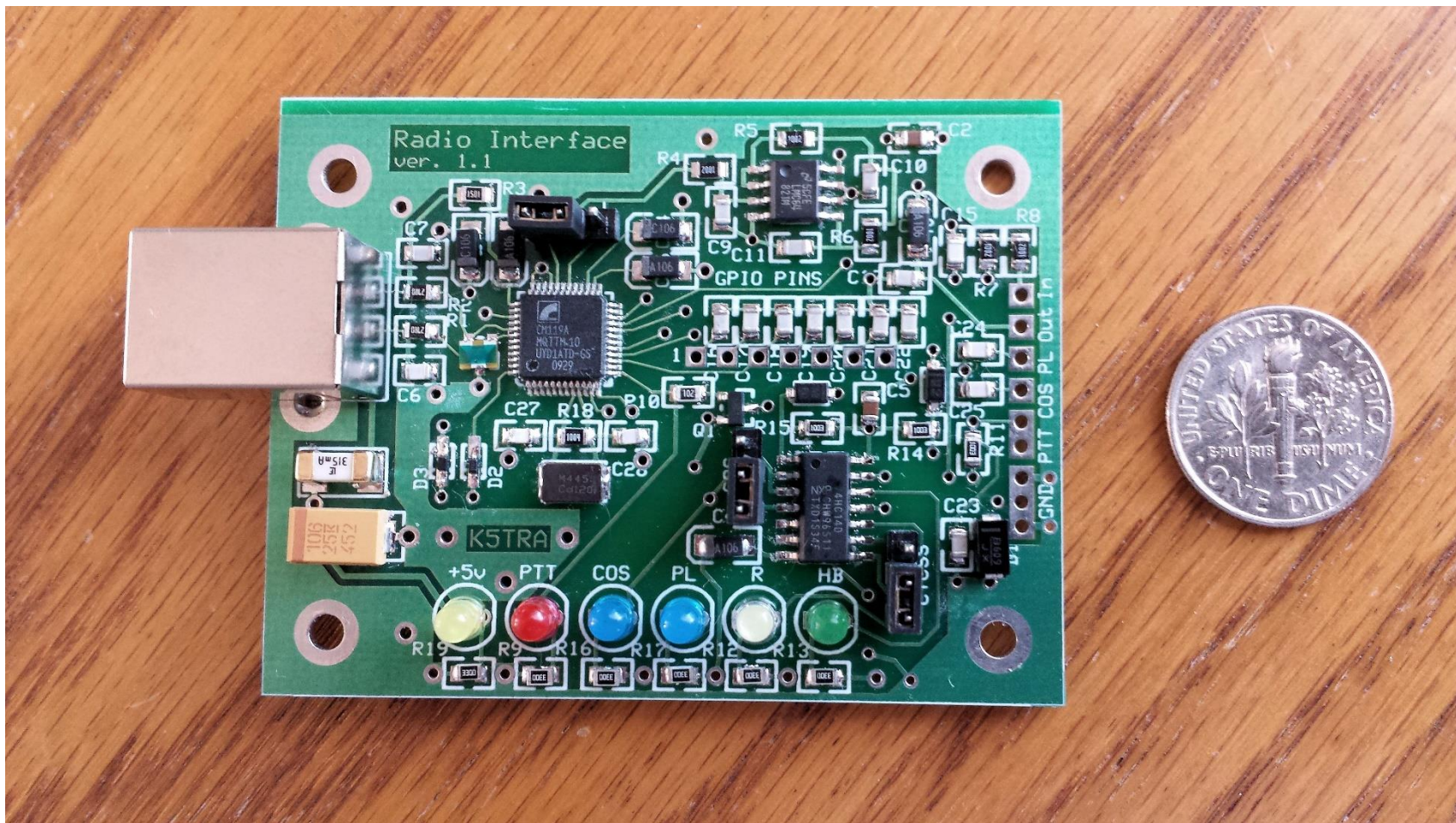


USB-Radio Interface for Allstar

DESIGN DETAILS

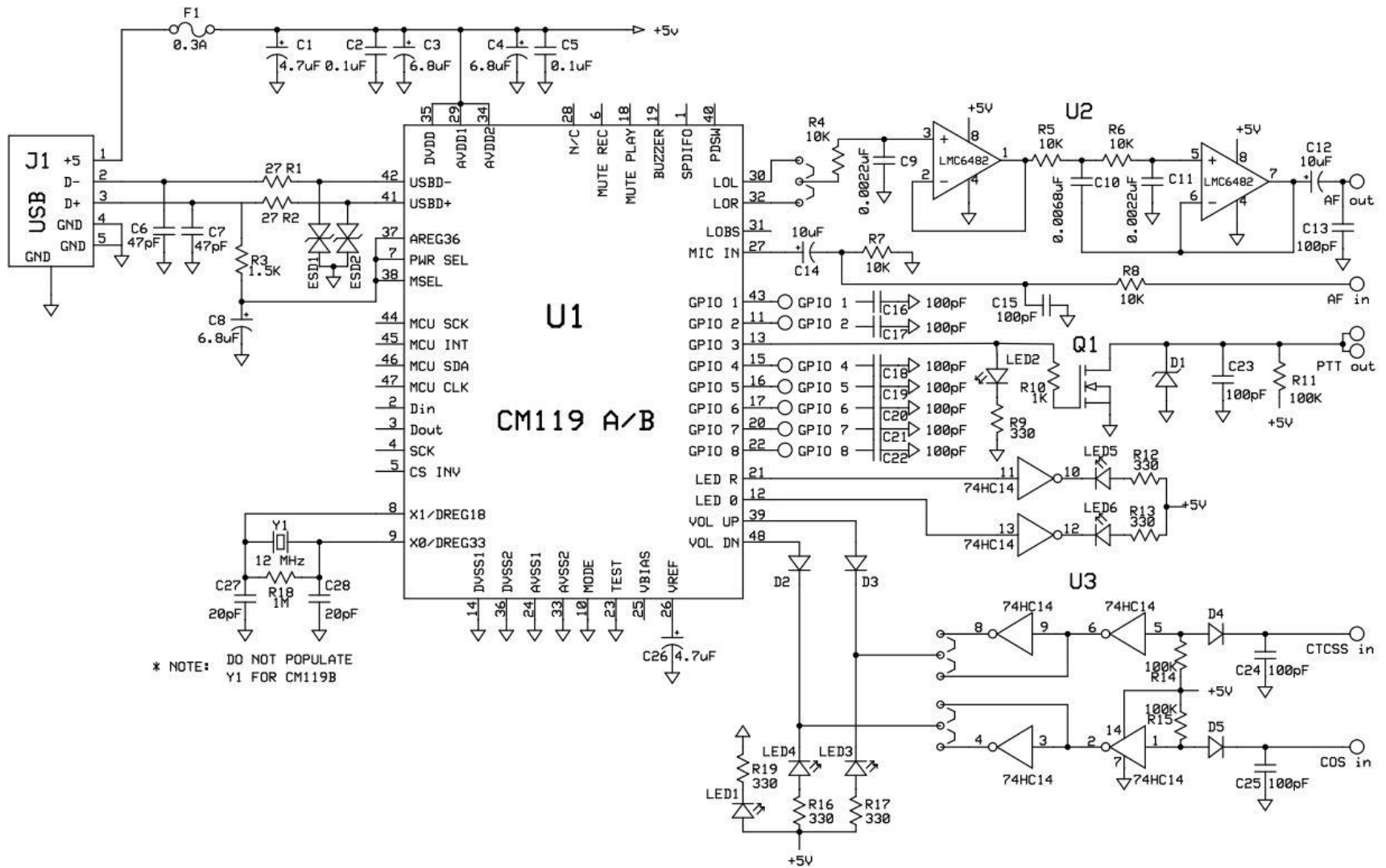
Assembled Board



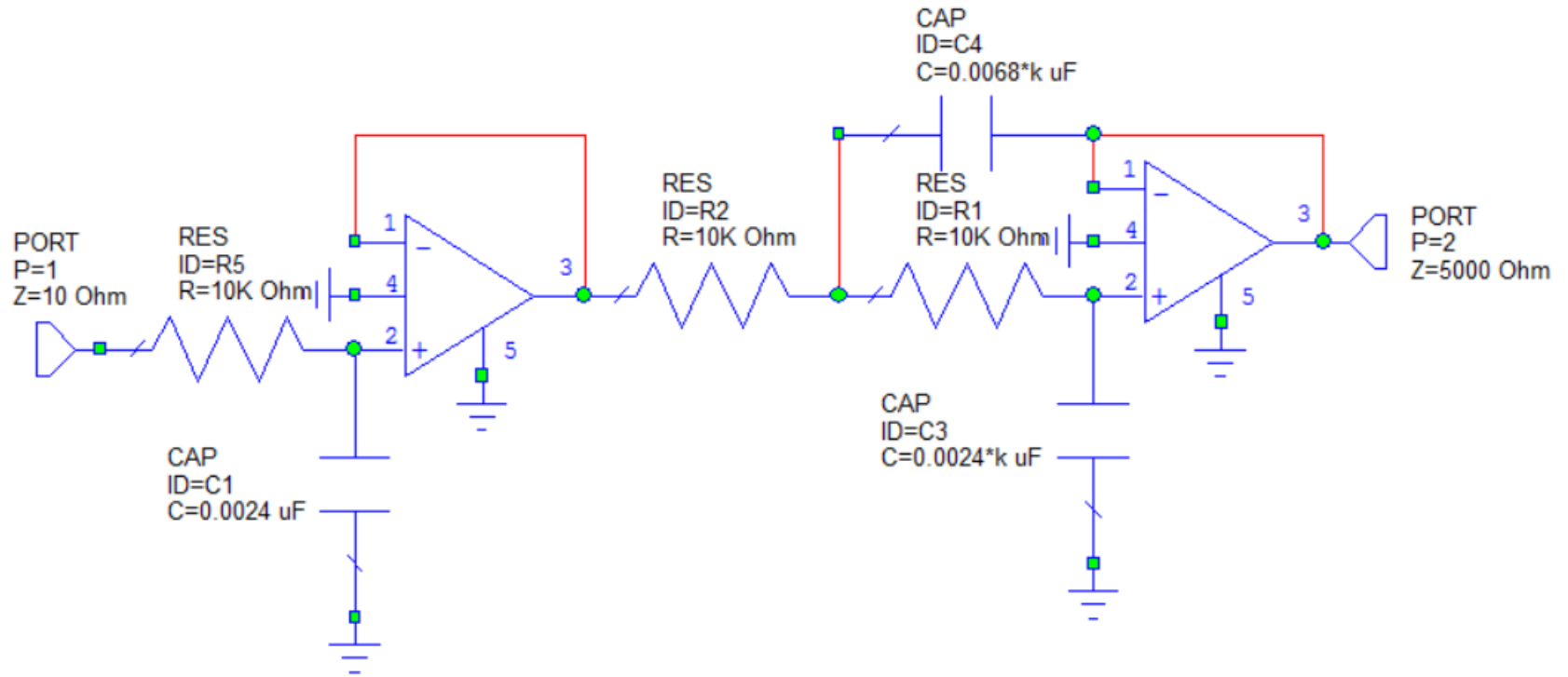
Features

- USB sound card chip
- Left or Right channel jumper on 3-pin header
- Third order active audio filter
- Buffered COS and PL input lines
- COS and PL invert jumpers on 3-pin headers
- GPIO outputs
- LED status indicators
- Fused power line
- Small size: 2.5" x 1.8"

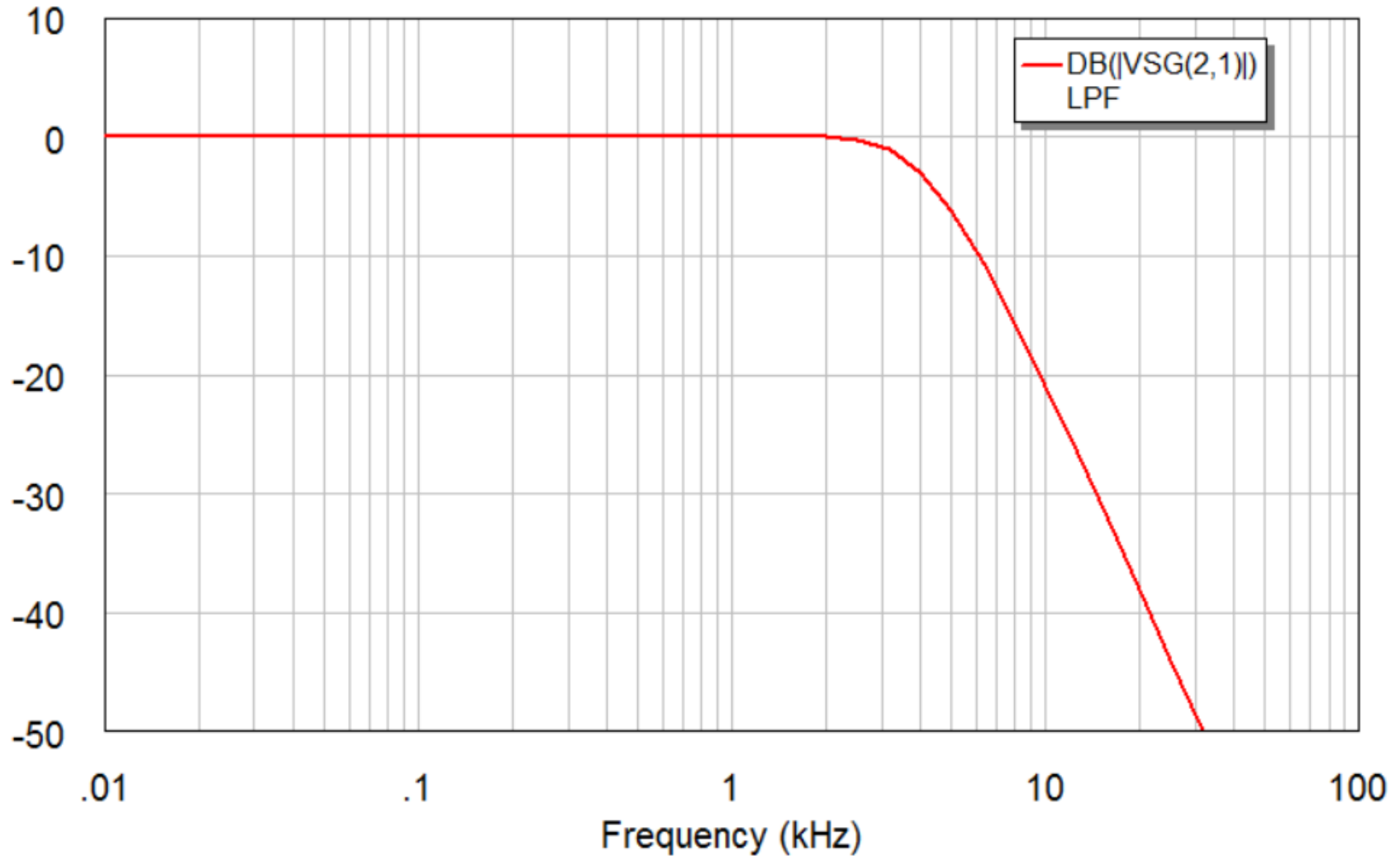
Schematic



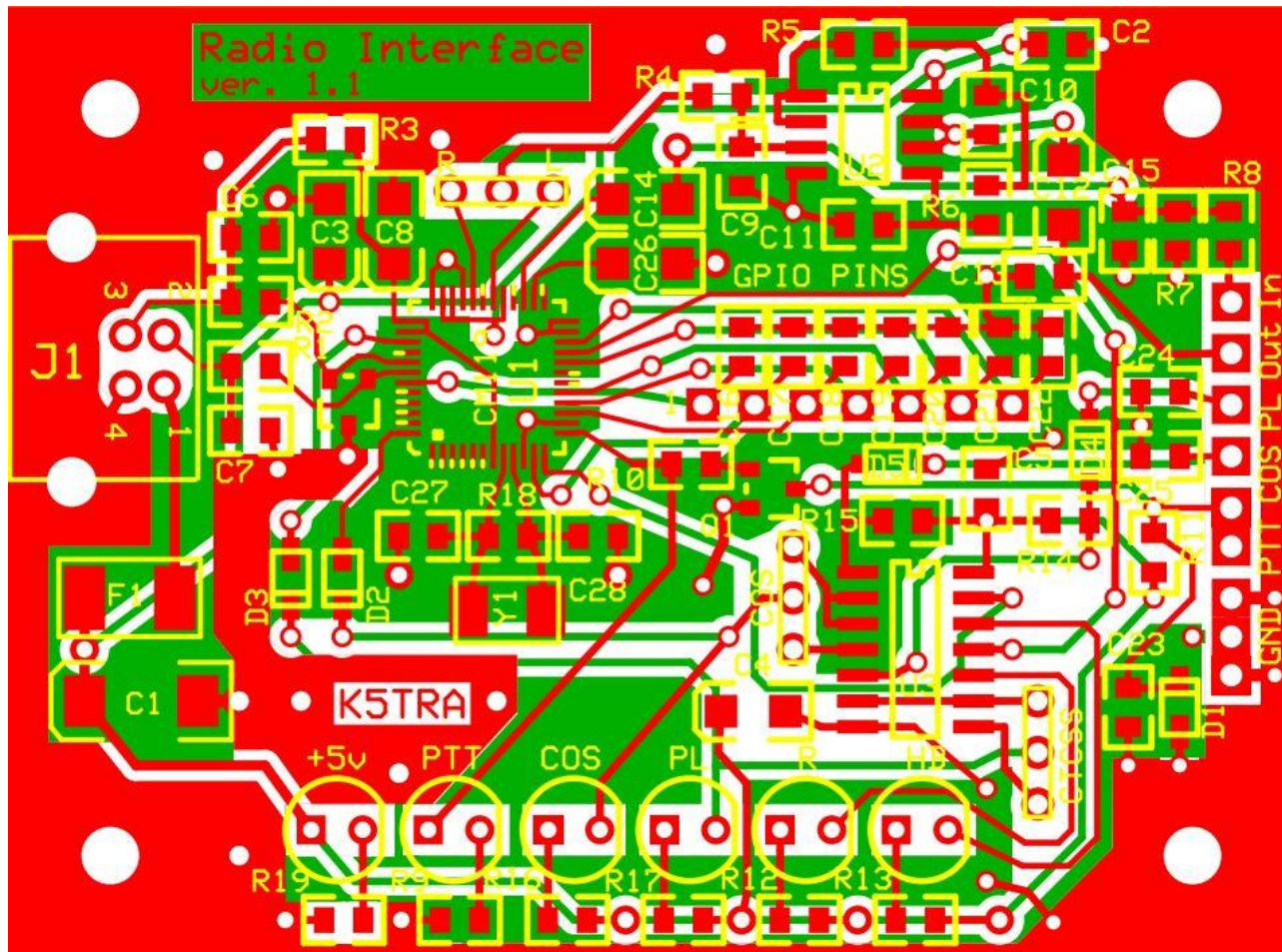
LPF Schematic



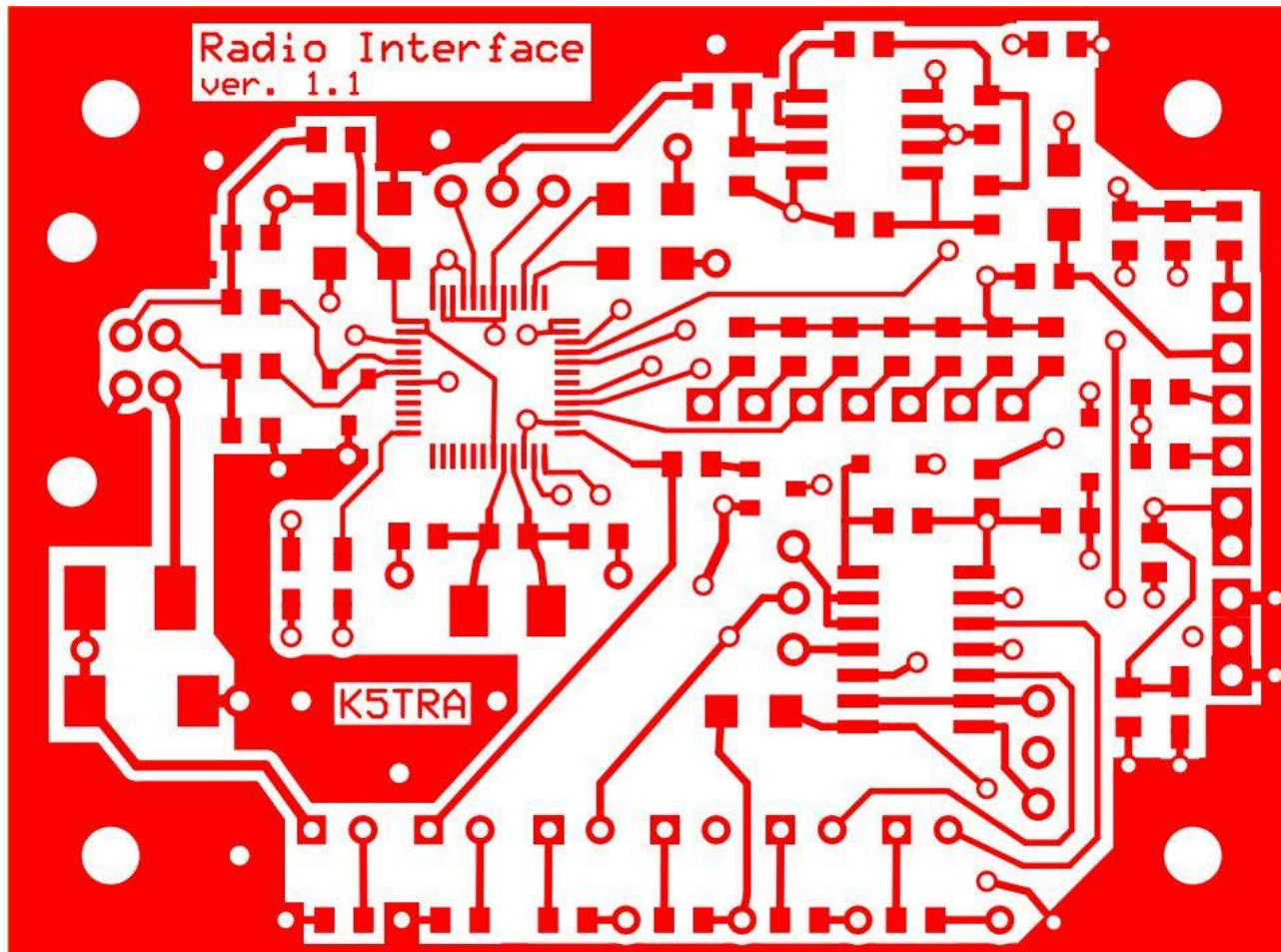
LPF Response



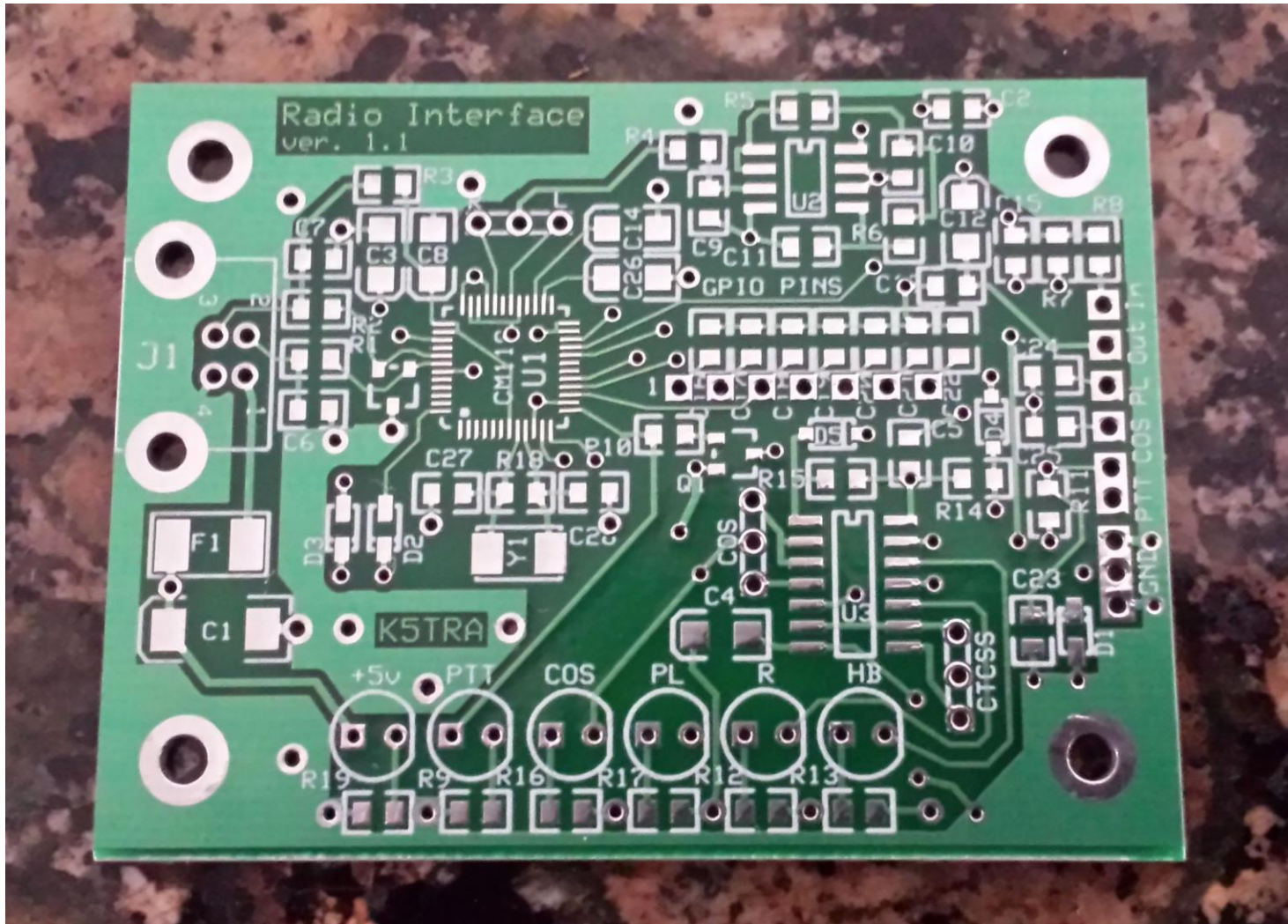
Board Layout



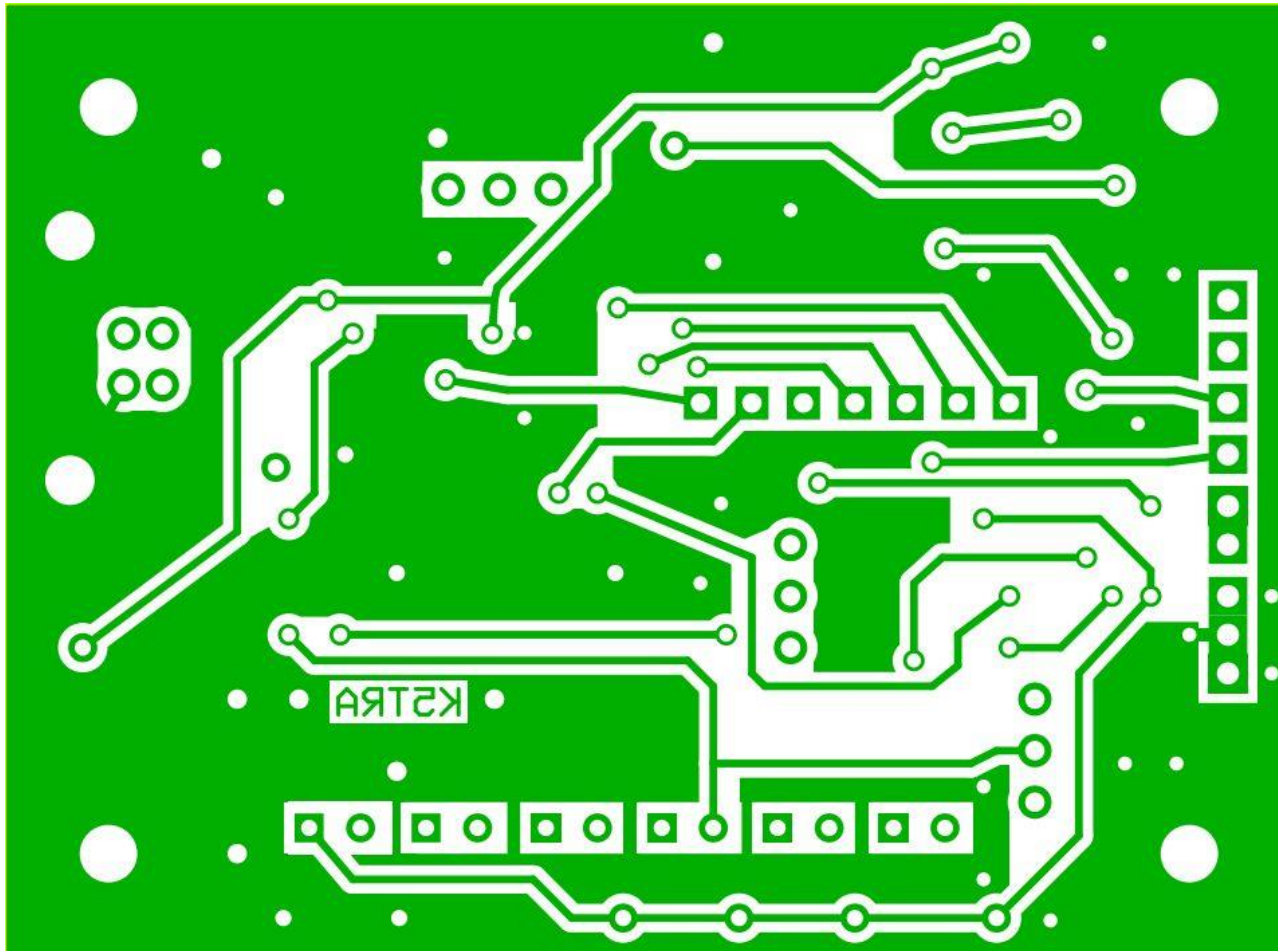
Board Top Layer



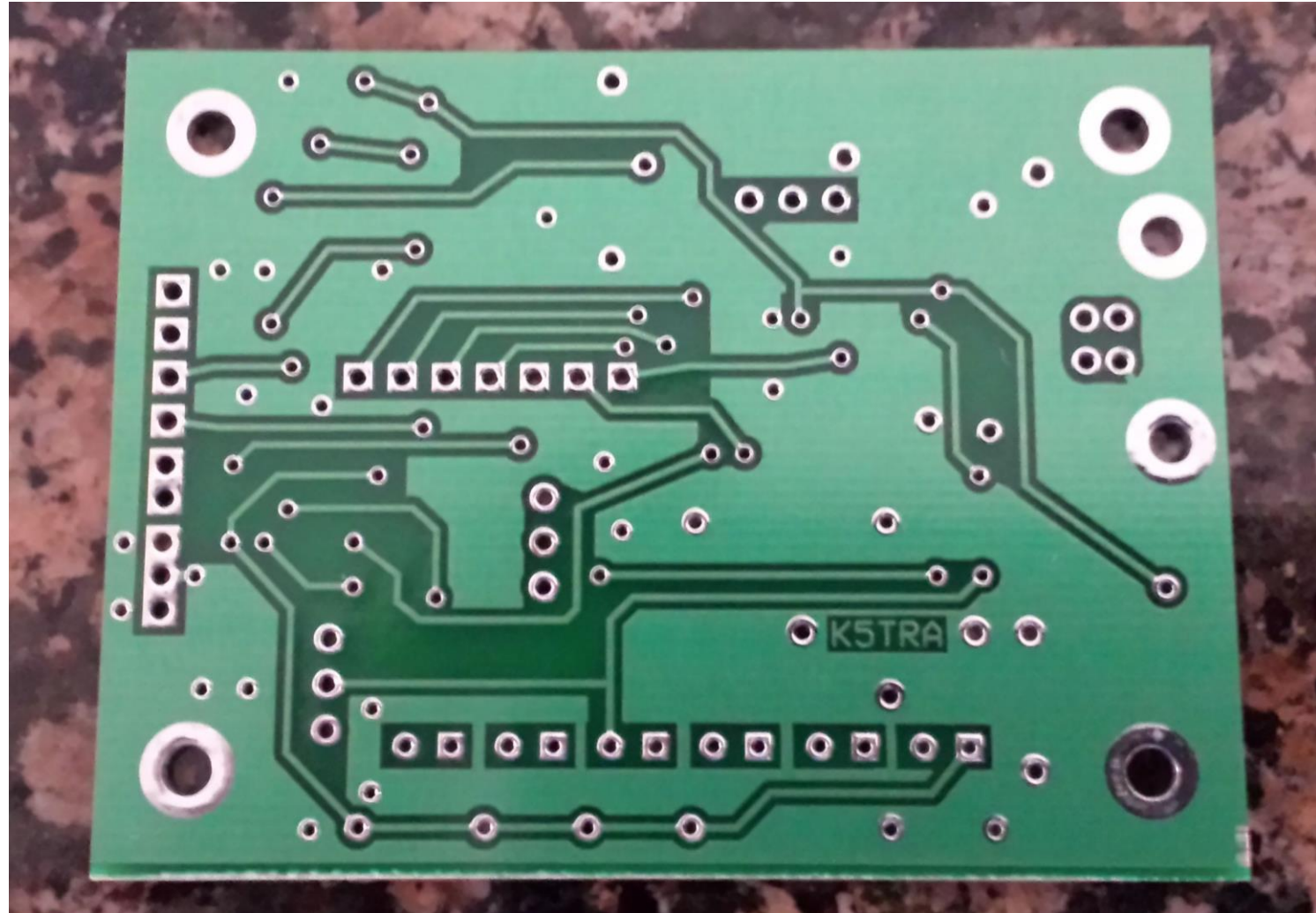
Board Top View



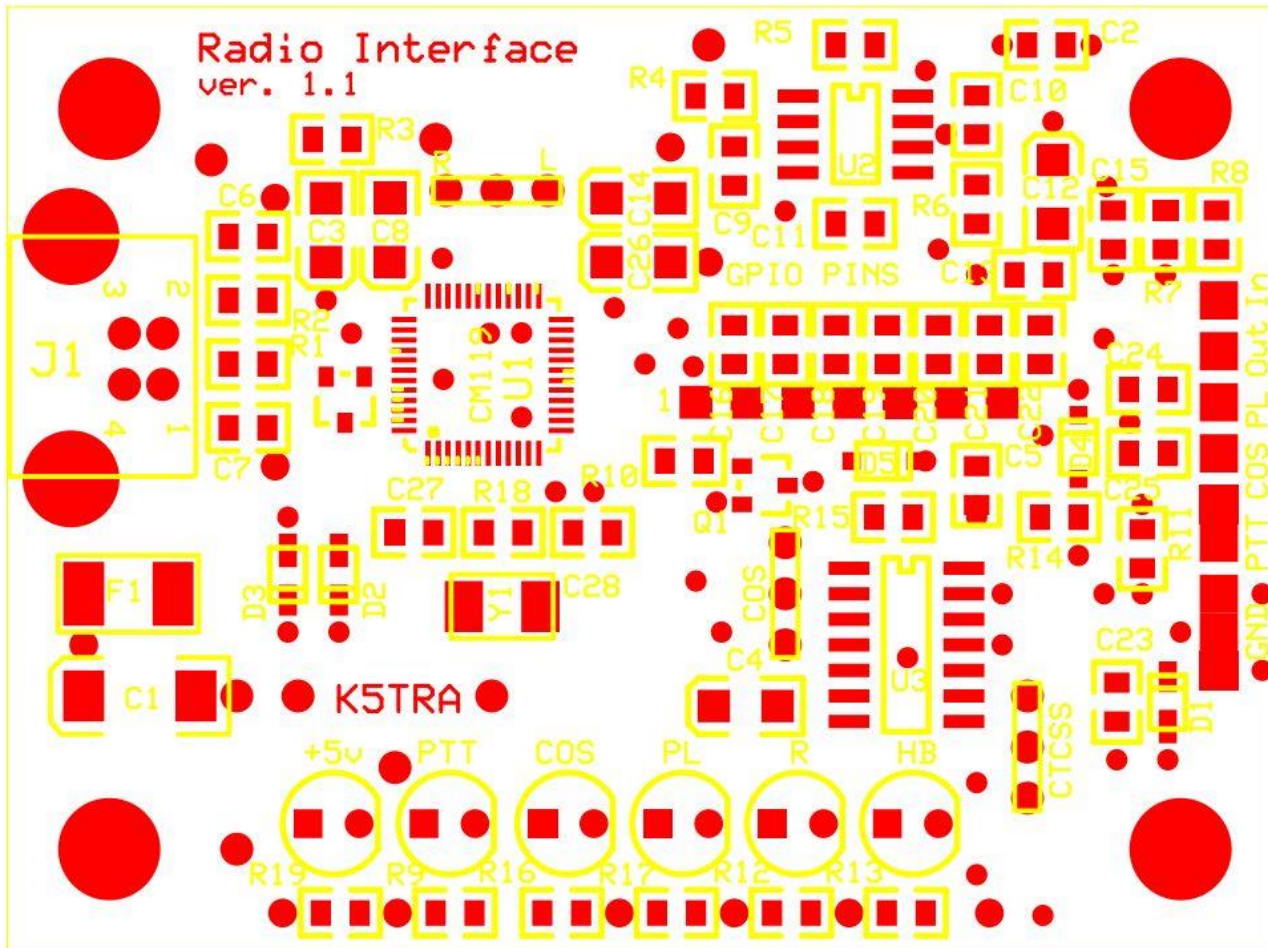
Board Bottom Layer



Board Back View



Board Pads



900 MHz Simplex Node



Summary

- A small, low cost, USB radio interface for Allstar
- Audio, COS, and PL jumpers on 3-pin header
- Filtered audio eliminated high frequency digital noise
- GPIO outputs available
- LED status indicators
- Fused power line
- Excellent results from on-air tests

Questo è Tutto

